

# PELLETS

Single-wall & insulated double-wall stainless steel & black enamel with sealing ring



**OPSINOX**<sup>®</sup>  
WWW.OPSINOX.COM



- Opsinox has several flues suited ideally for burning wood pellets. The single-wall stainless steel duct with silicone seal ring can be used for the lining of an existing chimney. The material is suitable for pellet stoves with an open, condensing combustion. Due to the integrated sealing rings, hot tubes are pre-eminently suitable for condensing applications and can also be used for pellet stoves with positive pressure.
- The insulated double-wall duct is recommended when the flue of the pellet stove is installed outwards through the wall. The insulation is then necessary to maintain sufficient draft in the chimney.
- The Opsinox EMAILPEL consists of matt black enamelled tubes specifically designed for enhanced aesthetic finish in the connection to the pellet stove within the living room.



**OPSINOX**<sup>®</sup>

# PELLETS

Single-wall & insulated double-wall stainless steel & black enamel with sealing ring

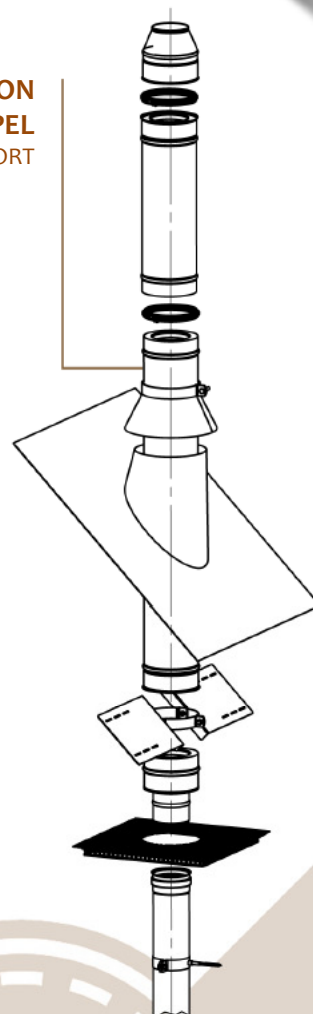


EW6 single-wall stainless steel 316L 0,4mm with sealing ring for pellets

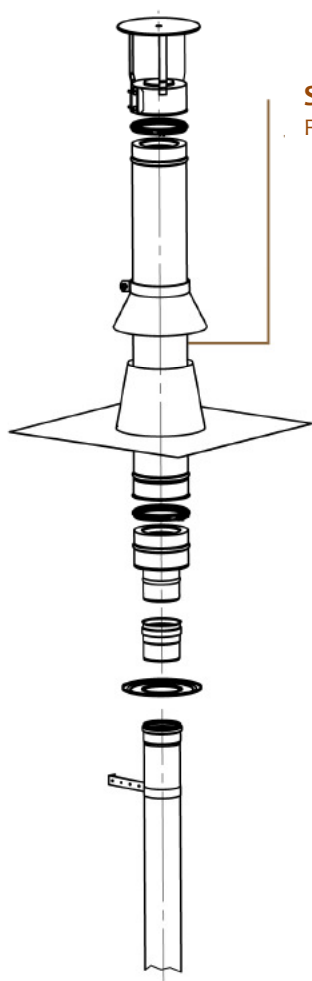
DWPEL insulated double-wall stainless steel 316L 0,4 inner tube / 304 0,4 outer tube with sealing ring for pellets

EmailPEL enamelled stove pipes with sealing ring for pellets

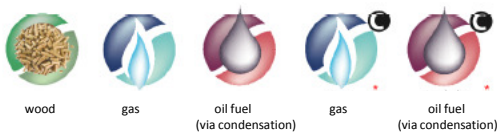
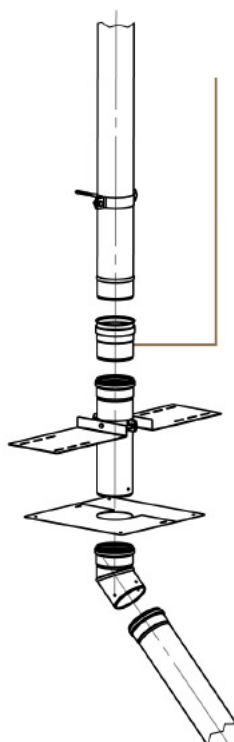
**STANDARD REDUCTION  
EWPEL - DWPEL**  
WITH VENTILATION PLATE AND ROOF SUPPORT



**STANDARD OUTLET  
FOR A FLAT ROOF**



**STANDARD REDUCTION  
EMAILPEL - EWPEL**  
WITH FINISHING PLATE AND ROOF SUPPORT



• DOES NOT APPLY FOR THE EMAILPEL PRODUCT RANGE

DESIGN AND LAYOUT BY MARTENS BCRIS



# OPSINOX®