

# FLEXIBEL

Single- and double- wall flexible stainless steel



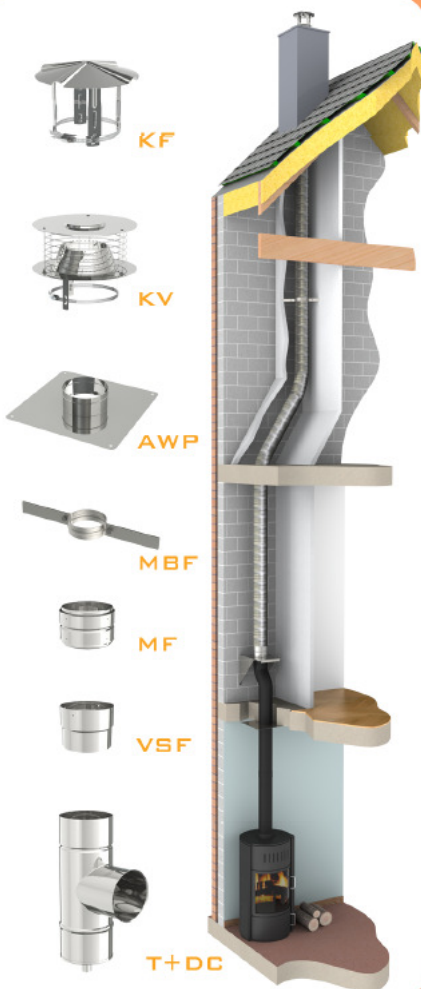
EW

DW

SDW

SDWHP

*Ideal for the installation of aberrant ducts or other difficult to install connections.*



- The flexible ducts are used for the renovation and optimization of existing chimneys to various problems (condensation in chimney, damaged flue, poor draught,...)
- Both single- and double-wall flexible ducts are available in different versions for multiple combustion applications. The flexibility of these tubes makes it possible to achieve aberrant chimney ducts or difficult to install connections.



# FLEXIBEL

## Single- and double wall flexible stainless steel

**OPSINOX®**

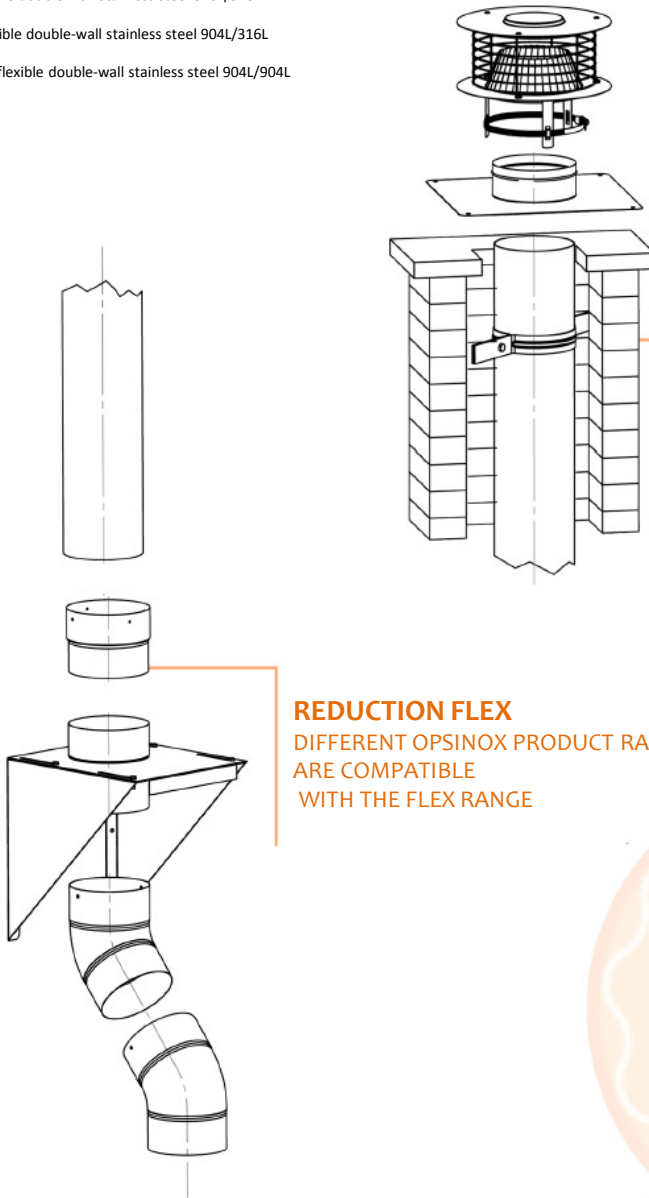
WWW.OPSINOX.COM

FLEX EW flexible single-wall stainless steel 316L

FLEX DW flexible double-wall stainless steel 316L/316L

FLEX SDW flexible double-wall stainless steel 904L/316L

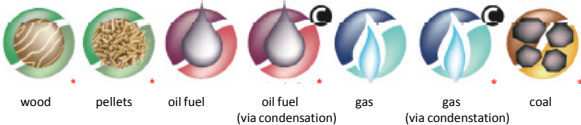
FLEX SDWHP flexible double-wall stainless steel 904L/904L



**TOP ELEMENT  
FOR A SLOPING ROOF**

**STANDARD TOP ELEMENT  
IN A NORMAL SITUATION**

**REDUCTION FLEX**  
DIFFERENT OPSINOX PRODUCT RANGES  
ARE COMPATIBLE  
WITH THE FLEX RANGE



wood

pellets

oil fuel

oil fuel  
(via condensation)

gas

gas  
(via condensation)

coal

DOES NOT APPLY FOR ALL FLEXIBLE RANGES

DESIGN AND LAYOUT BY MARTENS BORGIS



**OPSINOX®**