

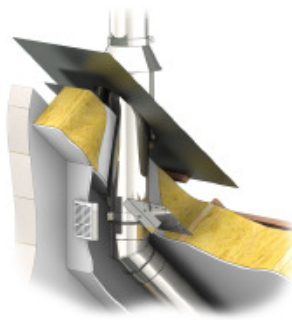
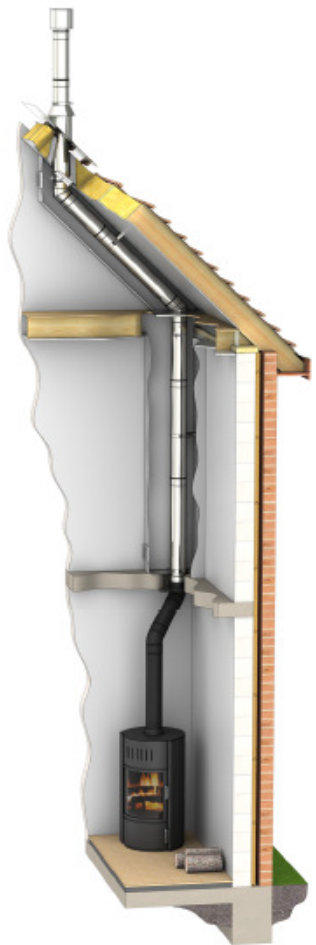
EW

Single-wall stainless steel

Ideal for renovating or optimizing an existing chimney to your stove or fireplace



- The single-wall product range is suitable for connecting all types of stoves and fireplaces to the flue duct in the chimney. These pipes can be used also for existing chimneys which offer no or insufficient guarantee for the discharge of flue gas.
- The single-wall ducts are available in a variety of stainless steel alloys, suitable for the used fuel. The EW4 ducts are mainly used for indoor connections of wood stoves and open fires. The EW6 ducts are also suitable for closed fireplaces, connecting gas boilers, oil boilers and coal stoves, and the discharge of flue gases in certain chimneys.



EW

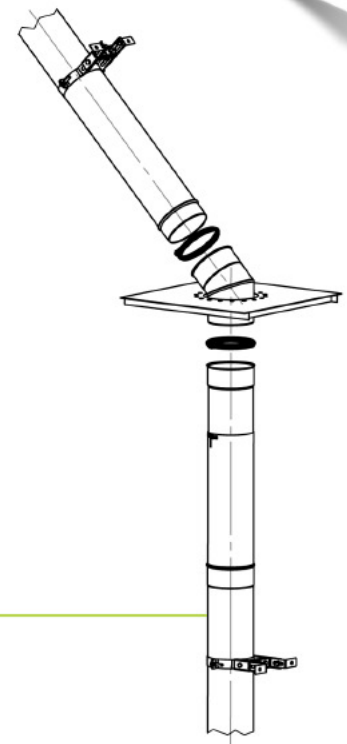
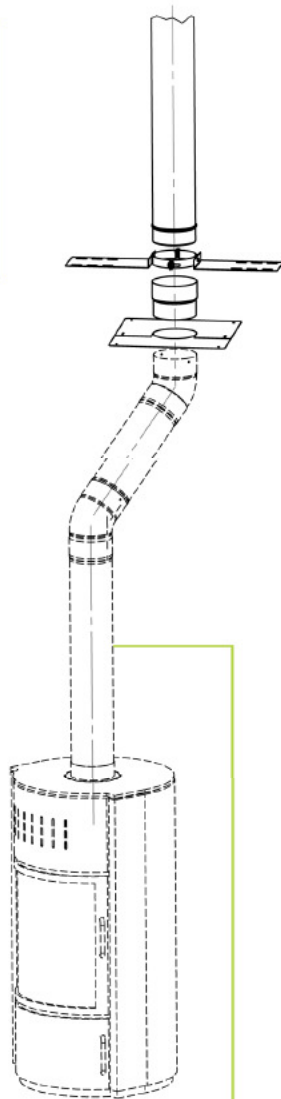
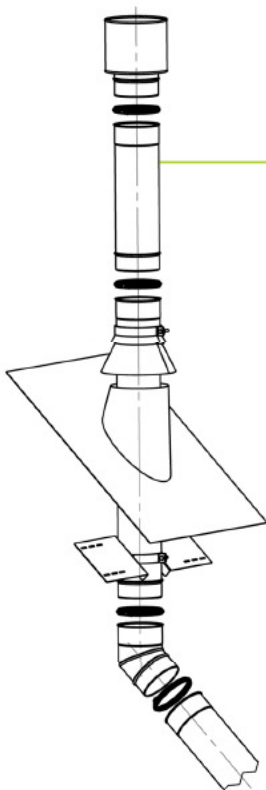
Single-wall stainless steel

Ideal for renovating or optimizing an existing chimney

OPSINOX®
WWW.OPSINOX.COM

EW6 single-wall stainless steel 316L 0,6mm

**STANDARD OUTLET
FOR A SLOPING ROOF**



**SETUP WITH ADJUSTABLE TUBE
ELEMENT**
SIMPLE FINISHING ON LENGTH

STANDARD REDUCTION EMAIL - EW
WITH FINISH PLATE
REDUCTION AND SUPPORT



wood



coal



gas



oil fuel

DESIGN AND LAYOUT BY MARTENS BORIS



OPSINOX®